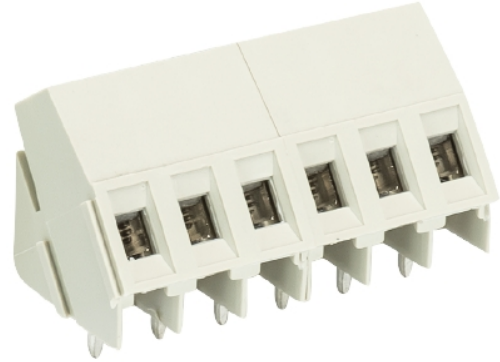


Data sheet

Commercial Art.No.: 25.520.0353.0

printed circuit board terminal 8135 / 3

PCB terminal with screw connection with rising cage clamp system, 3 poles, printed version, with solder pin (3.5mm), max. cross section: 2.5 mm², pitch: 5 mm, type of packing: carton, color: grey



Commercial Art.No.	25.520.0353.0
EAN	4015573201989
Order Unit	100

certificates / approvals



Technical data

general

modular spacing	5 mm
connection type	screw connection
soldering process	wave soldering
packaging	carton
number of poles	3
conductor to circuit board	35°
number of levels	1
integrated test socket	yes
insulation plate	no
retaining pins	no
marking	yes

technical data

nominal cross section	2.5 mm ²
rated current	16 A
overvoltage category I	1000 V
overvoltage category II	690 V
overvoltage category III	250 V
rated impulse voltage	4 kV
wire strip length	6 mm

connection data

minimum cross section solid	0.14 mm ²
-----------------------------	----------------------

maximum cross section solid	4 mm ²
minimum cross section fine stranded	0.14 mm ²
maximum cross section fine stranded	2.5 mm ²
wire strip length	6 mm

technical data UL/CSA

cross section UL	22-12 AWG
voltage UL	300 V
current field wiring	20 A
current factory wiring	30 A
cross section CSA	22-12 AWG
voltage CSA	300 V
current CSA	25 A

other

type of insulation material	thermoplastic
color	grey
height	15.3 mm
length	15.85 mm
depth	14.02 mm
material attachment screw	steel
material contact base	E-Cu
material contact surface	Sn
tightening torque note	if soldered additional mechanical fixing necessary
tightening moment	0.5 Nm

classification

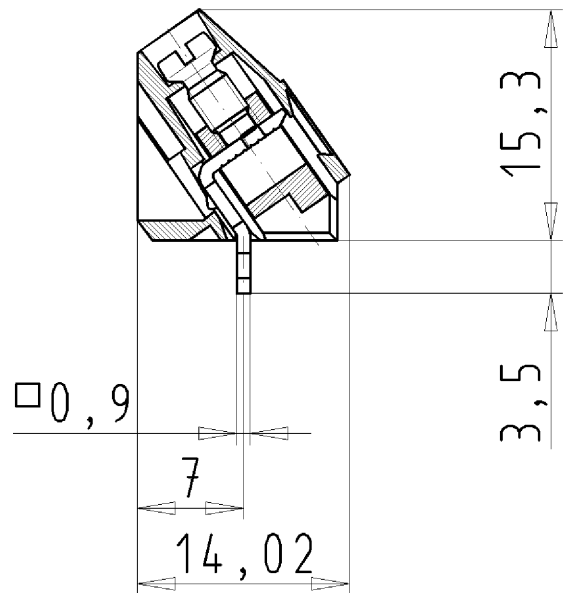
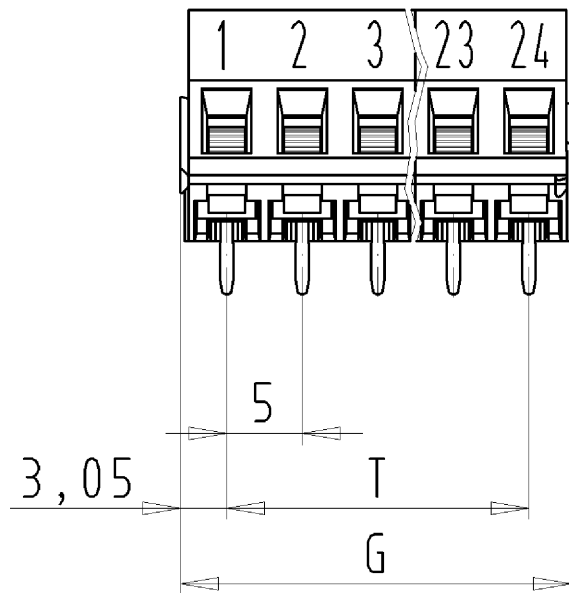
ECLASS 11	
ECLASS 8.1	27440401
ETIM 9.0	EC002643
ETIM 8.0	EC002643
ETIM 7.0	EC002643
ETIM 6.0	EC002643
ETIM 5.0	EC002643
ETIM 4.0	EC002643

product compliance

ROHS conformity status	compliant/exempted
ROHS exceptions	III-6(c)
REACH-SVHC conformity status	Duty-To-Declare
REACH-SVHC substances	Lead
REACH-SVHC CAS numbers	7439-92-1

Accessories

Commercial Art.No.:	Article-type description:	Description:
Z5.533.7121.0	test plug LP 8191	



Weitergabe sowie Vervielfältigung dieses Dokuments, Verwertung und Mitteilung seines Inhalts sind verboten, soweit nicht ausdrücklich gestattet. Die Reproduktion, Distribution und Utilization of this document as well as the communication of its contents to others without express authorization is prohibited.

für folgende Tabellen-Zchnng.:
 25.520.0253.0 8135/..

LP.KLEMME
 25.520.0253.0 10W
 06.11.2007 TRE
 M 2:1